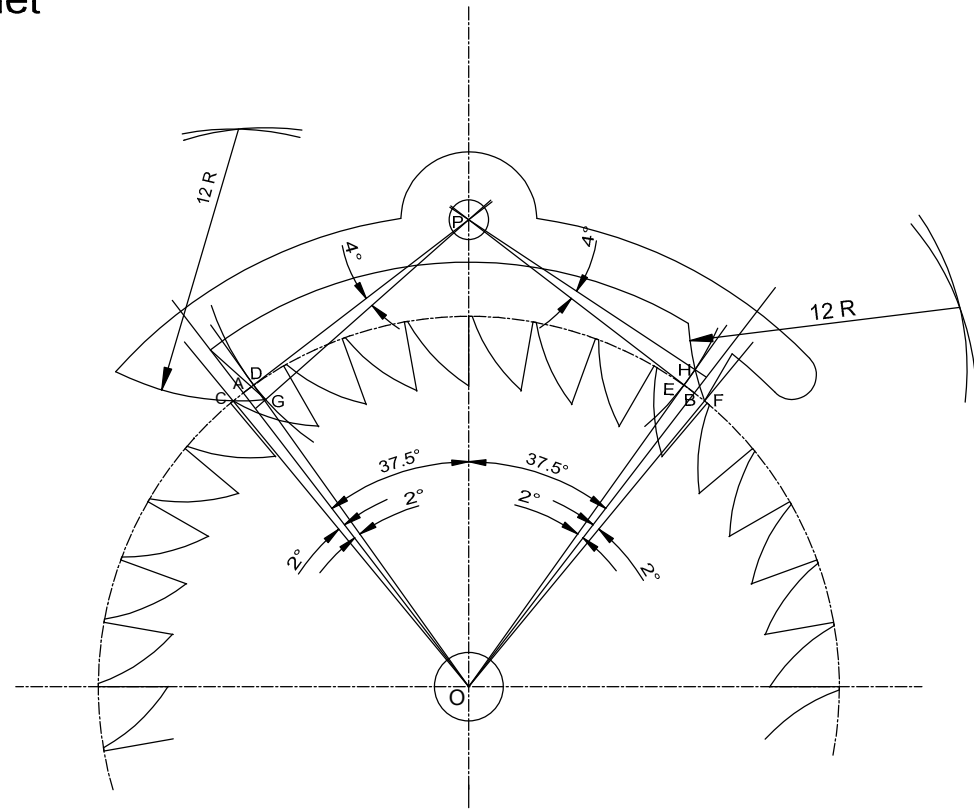
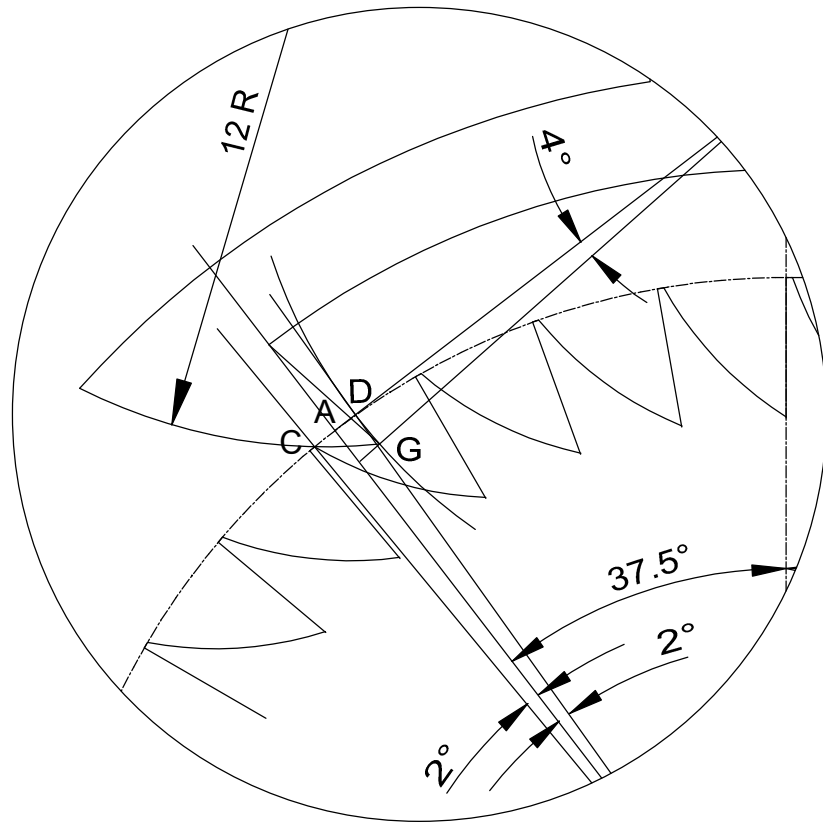


Enlarged Detail Showing Construction of Entry Pallet



Data Sheet
Designing a Recoil Escapement

EMTA Awards Ltd / British Horological Institute

Final Grade Part I - Unit 4
The Practical Repair of Clocks



Founded 1858

British Horological Institute